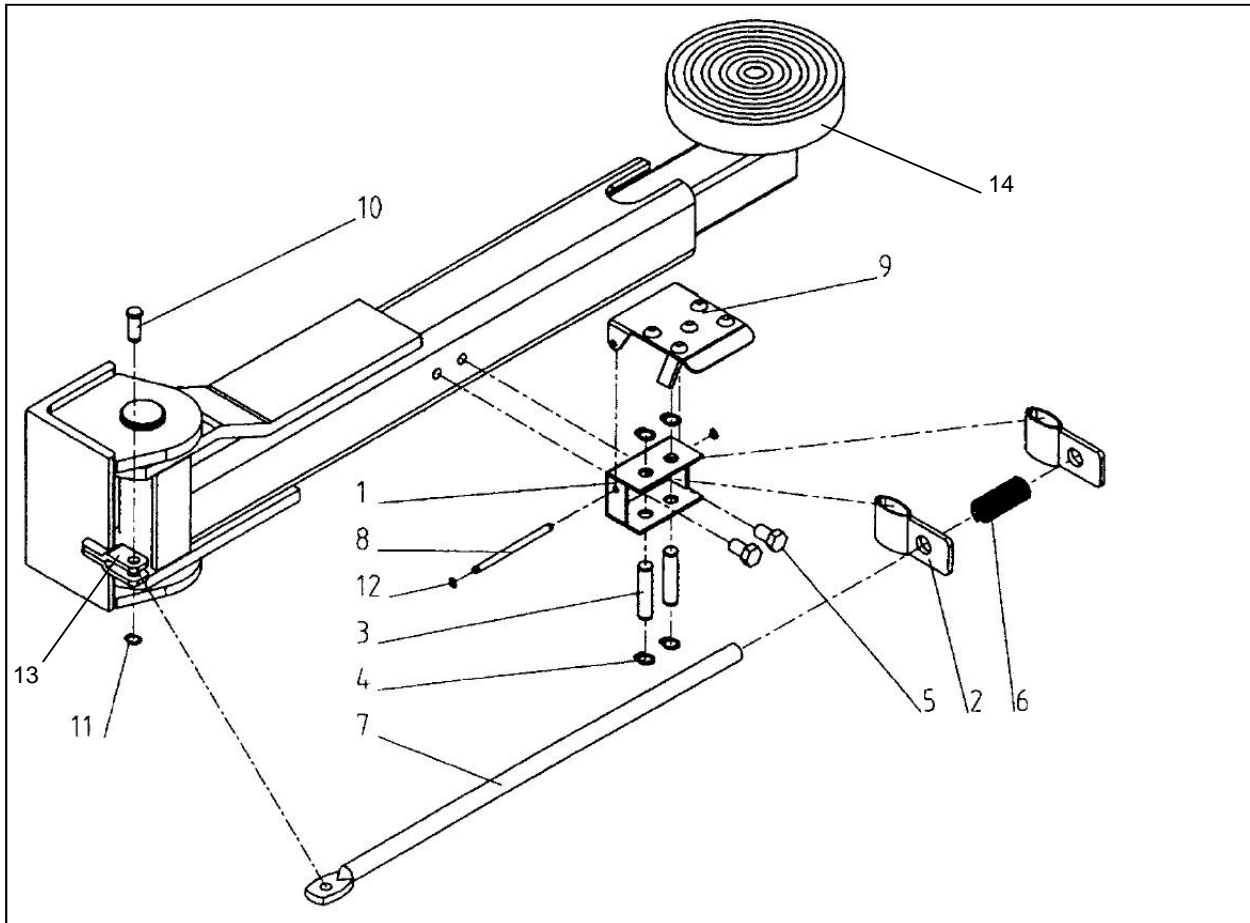


# Molnar 2 Post Hoists Arm Lock Parts



Drawing Reference No.	Part Description	Part No.
1.	Locking Arm Bracket	85A-J-57
2.	Locking Plate	85A-J-58
3.	Locking Plate Pin	85A-J-55
4.	Locking Plate Pin Circlip	85A-J-56
5.	Locking Arm Bracket Bolt	85A-J-60
6.	Spring	85A-J-59
7.	Locking Arm Rod	85A-J-61
a)	Assymetric ONLY Front/Short Locking Arm Rod	OHAS-J-284
8.	Foot Pedal Shaft	85A-J-356
9.	Foot Pedal	85A-J-354
10.	Locking Arm Pivot Pin	85A-J-49
11.	Pivot Pin Circlip	85A-J-46
12.	E-Clip	85A-J-355
13.	Pivot Bracket (Weld On)	85A-J-48W
a)	Pivot Bracket (Bolt On)	85A-J-48B
14.	Pick Up Pad (140mm DIA.)	85A-JJ3

<b>LIFTING ARM ASSEMBLY: 85A-JJ (4 PER HOIST)</b>		
<b>Part No.</b>	<b>Part Description</b>	<b>Price (ex. GST)</b>
85A-J-46	PIVOT PIN CIRCLIP	\$0.56 ea
85A-J-48B	PIVOT BRACKET ( <i>BOLT ON</i> )	\$15.32 ea
85A-J-48W	PIVOT BRACKET ( <i>WELD ON</i> )	\$12.04 ea
85A-J-49	LOCKING ARM PIVOT PIN	\$6.56 ea
85A-J-52 (JJ3PUP)	PICK UP PAD ( <i>140MM DIA, 1 PER ARM, 4 PER HOIST.</i> )	\$95.84 ea
85A-J-55	LOCKING PLATE PIVOT PIN ( <i>2 REQUIRED PER ARM</i> )	\$6.04 ea
85A-J-56	LOCKING PLATE PIN CIRCLIP	\$0.56 ea
85A-J-57	LOCKING ARM BRACKET	\$9.84 ea
85A-J-58	LOCKING PLATE ( <i>2 PER ARM</i> )	\$14.40 ea
85A-J-59	SPRING	\$5.44 ea
85A-J-60	LOCKING ARM BRACKET BOLT ( <i>2 REQUIRED PER ARM</i> )	\$2.72 ea
85A-J-61	LOCKING ARM ROD	\$29.60 ea
85A-J-354	FOOT PEDAL	\$18.56 ea
85A-J-355	E-CLIP	\$0.56 ea
85A-J-356	FOOT PEDAL SHAFT	\$2.20 ea
85A-J-8550	LOCKING ARM KIT ( <i>ONE KIT SUPPLIES ALL HAND OPER- ATED ARM LOCK PARTS REQUIRED FOR ALL 4 ARMS OF HOIST</i> )	\$ 350.00 kit
85A-J-8550¼	¼ KIT LOCKING ARM KIT ( <i>AS ABOVE BUT FOR 1 ARM ONLY</i> )	\$87.52 kit
85A-J-85357	FOOT OPERATED LOCKING ARM KIT ( <i>ONE KIT SUPPLIES ALL FOOT OPER- ATED ARM LOCK PARTS REQUIRED FOR ALL 4 ARMS OF HOIST</i> )	\$ 424.96 kit
85A-J-85357¼	¼ KIT FOOT OPERATED LOCKING ARM ( <i>AS ABOVE BUT FOR 1 ARM ONLY</i> )	\$106.24 kit
85A-J-85357C	FOOT LOCKING CONVERSION KIT ( <i>ONE KIT CONVERTS ALL 4 ARMS OF HOIST TO FOOT OPERATED LOCK ARMS</i> )	\$ 130.72 kit
85A-JJ3	PICK UP PAD ( <i>DIAMETER 140MM</i> )	\$95.84 ea



**Molnar Engineering Pty Ltd**

ABN 54 007 740 794

16- 20 Coglin Street, Brompton, SA 5007, Australia

PHONE: +61 8 8346 6893 FAX: +61 8 8346 0097

[sales@molnarhoists.com.au](mailto:sales@molnarhoists.com.au)

[www.molnarhoists.com.au](http://www.molnarhoists.com.au)